

CLEAR ALL



NATIONAL

RACK REPAIR

711 S Commerce Dr, Seymour IN 47274
(800) 835-1538 * sales@nationalrackrepair.com
www.NationalRackRepair.com

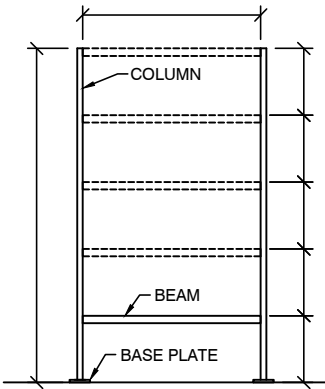
PROJECT _____

SITE _____

PROFILE # _____ OF _____

SUBMITTED BY _____ DATE _____

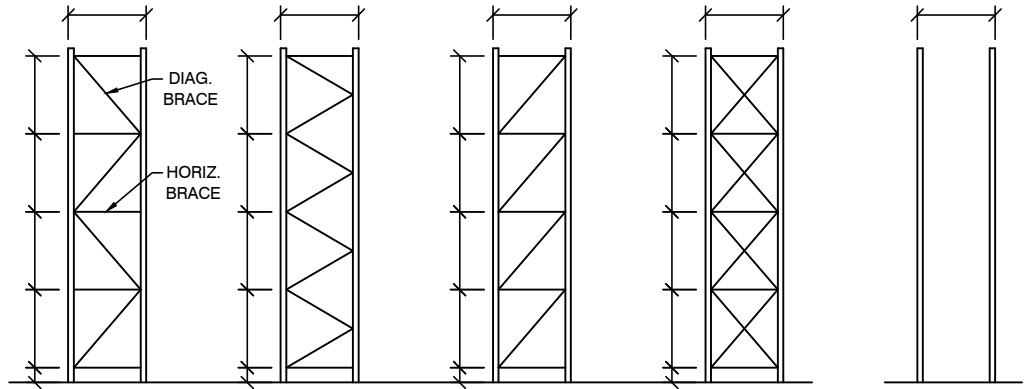
BEAM ELEVATIONS



FRONT VIEW

NUMBER OF BEAM LEVELS

UPRIGHT FRAME SELECT ONE:



SIDE VIEW
K-BRACE

SIDE VIEW
BOLTED FRAME

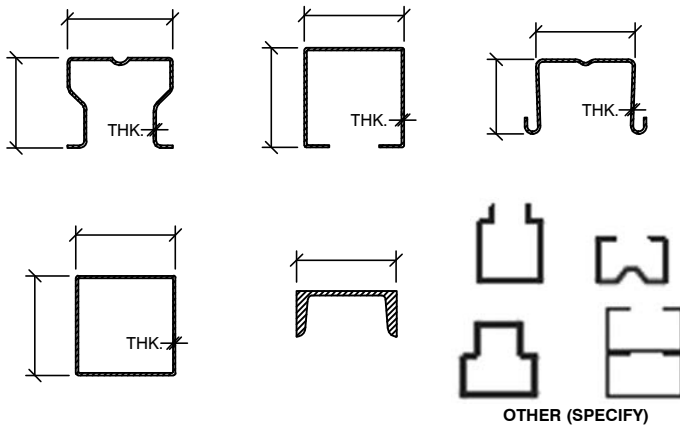
SIDE VIEW
UNI-DIRECTIONAL
BRACE

SIDE VIEW
X-BRACE

OTHER
(SPECIFY)

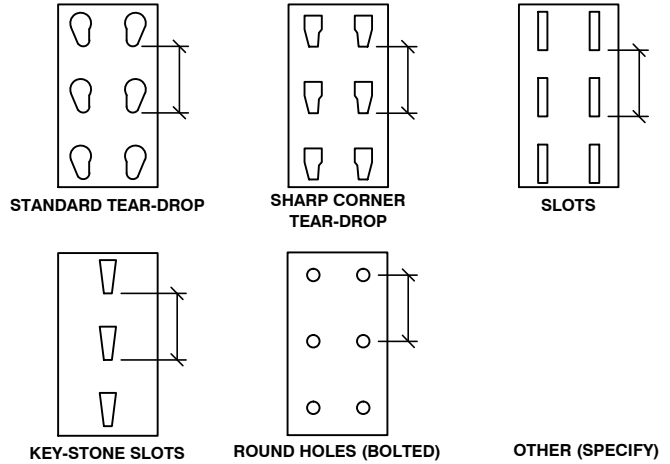
NUMBER OF BRACE PANELS LEVELS:

COLUMN SELECT ONE:



OTHER (SPECIFY)

HOLE PATTERN SELECT ONE:



STANDARD TEAR-DROP

SHARP CORNER
TEAR-DROP

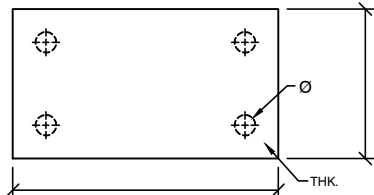
SLOTS

KEY-STONE SLOTS

ROUND HOLES (BOLTED)

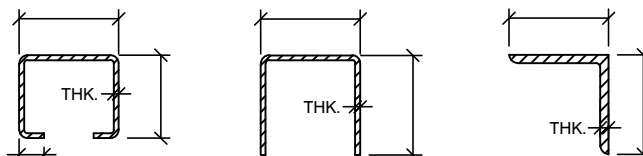
OTHER (SPECIFY)

BASE PLATE



NUMBER OF HOLES:

HORIZONTAL & DIAGONAL BRACE



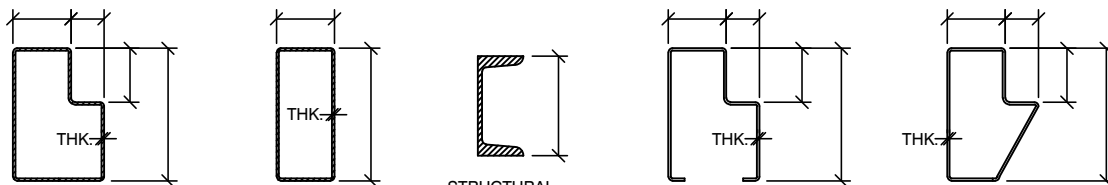
"C" CHANNEL

"U" CHANNEL

ANGLE

OTHER SPECIFY

BEAMS



STEP BEAM

TUBE

STRUCTURAL
CHANNEL

OPEN

SLOPED

OTHER SPECIFY